



# SN-IPV5122EFBR-B

2MP IR Dome Network Camera



## Key Features

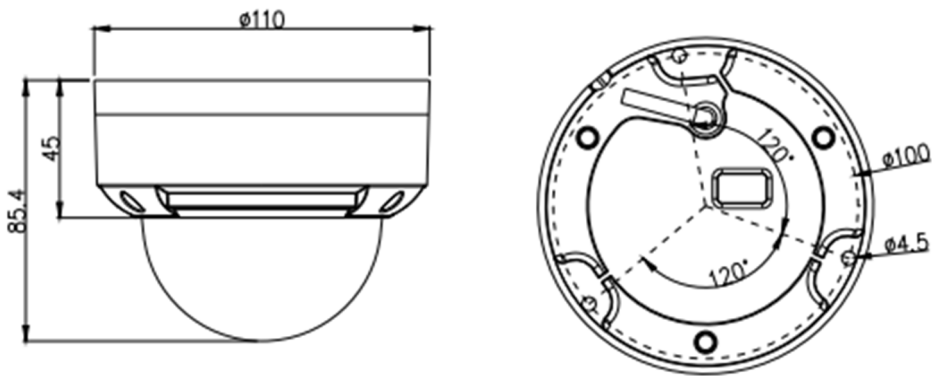
- 1/2.8" progressive scan CMOS
- 2.8 mm/4 mm fixed lens optional
- Max resolution 1920×1080 @25/30fps
- DWDR, 3D DNR, HLC, BLC, Defog
- Support intrusion and line crossing based on human detection
- IR distance up to 30m
- Built-in SD card slot, up to 256GB
- 12V DC/PoE power supply
- IP67, IK10

# Specification

Camera		
Image Sensor	1/2.8" Progressive Scan CMOS	
Electronic Shutter	Auto/Manual, 1/5 ~ 1/20,000s	
Min. illumination	Color: 0.1 Lux @ (F1.6, AGC ON) , BW: 0 Lux @ (IR LED ON)	
S/N Ratio	55 dB	
Day & Night	IR cut filter	
IR Distance	Up to 30 m (98.4 ft)	
IR On/Off Control	Auto/Manual	
Pan/Tilt/Rotation Range	Pan: 0° ~ 335°, Tilt: 0° ~ 75°, Rotation: 0° ~ 350°	
Lens		
Lens Type	Fixed lens	
Iris	Fixed Iris	
Focal Length	2.8 mm	4 mm
F Number	F2.0	F1.6
Angle of View	H: 104.1°, V: 55.4°	H: 89.5°, V: 45.8°
Video		
Max. Resolution	1920(H)×1080(V)	
Streaming Capability	2 Streams	
Main Stream	1920×1080, 1280×720 @ 25/30fps	
Sub Stream	704×576, 640×360, 480×360, 352×288 @ 25/30fps	
Bit Rate Control	CBR/VBR	
Bit Rate	Main Stream: 512kbps ~ 4096kbps Sub Stream: 128kbps ~ 1536kbps	
Image		
Image Adjustment	Brightness, Sharpness, Contrast, Saturation	
White Balance	Auto/Manual	
Mirror	Support	
Exposure Mode	Auto/Manual	
Day/Night Setting	Auto, Day, Night, Timing	
Noise Reduction	2D/3D NR	
Image Enhancement	HLC, BLC, Defog	
Wide Dynamic Range	DWDR	
Privacy Masking	Support	

Event	
Motion Detection	Support
Intelligent Analysis	Intrusion and Line crossing detection based on human detection
Network	
Protocols	IPv4, RTSP/RTP/RTCP, TCP/UDP,DHCP, DNS, DDNS, UPNP, ICMP, IGMP, NTP, SMTP, 802.1x, SNMP, HTTP/HTTPS, PPPOE
Interface Protocol	ONVIF, SDK
Max. User Access	4 Users
Web Viewer	<IE11, Chrome, Firefox, Microsoft Edge
Language	English, Chinese (Simplified), French, Korean, Polish, Italian, Spanish, German, Hungarian, Russian, Vietnamese, Thai, Danish, Czech, Slovak, Indonesian, Portuguese, Dutch, Hebrew, Arabic
Interface	
Network Interface	1 Ethernet (10/100 Base-T) RJ-45 Connector
SD Card Slot	Built-in, up to 256GB
Reset Button	Support
Electrical	
Power Supply	DC12V (-15%~+25%)/POE (IEEE 802.3af)
Power Consumption	Max 4.5 W
Operating Temperature	-25°C ~ 55°C (-13°F ~ 131°F )
Operating Humidity	Less than 90% RH
Ingress Protection	IP67, IK10
Certifications	CE/FCC
Casing	Metal
Dimensions	φ 110 × 85.4mm (φ4.33" × 3.36")
Net Weight	0.47 kg (1.04 lb)

## Dimensions (mm)



## Accessories

Optional:



Junction Box  
SN-CBK656



Pendant Cap  
SN-CBK202



Pendant Mount  
SN-CBK402



Wall Mount  
SN-CBK501



Wall Mount  
SN-CBK502



Pole Mount  
SN-CBK101



Corner Mount  
SN-CBK102