



# SN-IPS57/30CDR/ZSD12

4-inch 3MP 12x IR Mini PTZ Network Camera



## Key Features

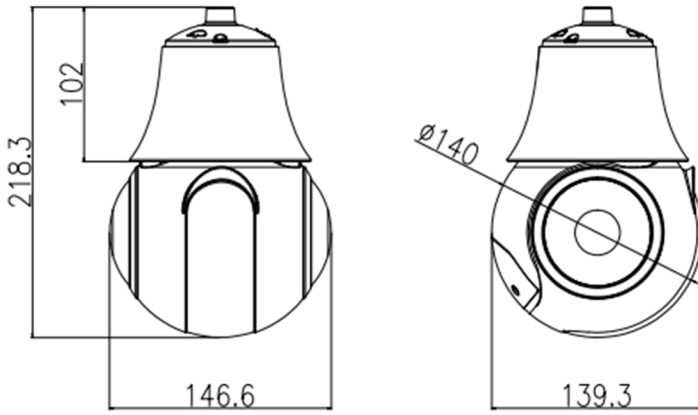
- 1/2.8" progressive scan CMOS
- 12x optical zoom, 16x digital zoom
- Max. 3MP(2048×1536) @ 25/30fps resolution
- Multiple streams
- 3D DNR, DWDR, ICR, IVS, Defog
- Auto tracking
- Smart IR distance up to 80 m
- IP66

# Specification

Camera	
Image Sensor	1/2.8" Progressive Scan CMOS
Electronic Shutter	Auto/Manual, 1/5 ~ 1/20,000s
Min. illumination	Color: 0.01 Lux @ (F1.2, AGC ON), BW: 0 Lux @ (IR LED ON)
S/N Ratio	55 dB
Day/Night	Auto(ICR)/Day / Night/Timing
Wide Dynamic Range	DWDR
IR Distance	Smart IR, Up to 80 m (262.5 ft)
IR On/Off Control	Auto/Manual
Lens	
Focal Length	4.7 ~ 56.4 mm
Max. Aperture	F1.6 ~ F3.0
Angle of View	H: 60.9° ~ 6.4°
Optical Zoom	12x
Digital Zoom	16x
Focus Control	Auto/Manual
PTZ	
Pan/Tilt Range	Pan: 0° ~ 360° endless, Tilt: -10° ~ +90°
Manual Control Speed	Pan: 0.1° ~ 180°/s, Tilt: 0.1° ~ 90°/s
Preset Speed	Pan: 180°/s, Tilt: 90°/s
Presets	300
PTZ Mode	6 Track, 12 Scan, 12 Tour (up to 32 presets per tour)
3D Positioning	Support
Power-Off Memory	Support
PTZ Status Display	Support
Idle Motion	Activate Preset/ Scan/ Tour/ Track if there is no command in the specified period
Video	
Max. Resolution	2048(H)x1536(V)
Streaming Capability	3 Streams
Stream/Frame Rate	Stream1: 2048×1536/1920×1080/1280×720 @25/30fps Stream2: D1/VGA/640×360/CIF/QVGA @ 25/30fps Stream3: VGA/CIF/QVGA @ 25/30fps
Bit Rate Control	CBR/VBR
Bit Rate	Stream1: 200kbps~12Mbps Stream2: 100kbps~6Mbps Stream3: 100kbps~3Mbps
Image Enhancement	HLC/BLC/Anti-shake/Defog /DWDR
Noise Reduction	2D/3D DNR
Region of Interest	Off/On (8 Zone, Rectangle)
Motion Detection	Support
Privacy Masking	Support

Intelligence	
Intelligent Analysis	Intrusion, Single line crossing, Double line crossing, Loitering, Multi loitering, Object left, Object removed, Abnormal Speed, Wrong way, Illegal parking
Auto Tracking	Support
Audio	
Audio Compression	G.711, RAW_PCM
Bit Rate	8kbps(G.711), 16kps(RAW_PCM)
Network	
Protocols	IPv4/IPv6, 802.1x, HTTP, HTTPS, TCP/IP, UDP/IP, RTSP, DHCP, NTP, RTCP/RTP, PPPoE, SMTP, DNS, UPnP, FTP, ARP, SNMP
Interoperability	ONVIF, SDK, CGI
Streaming Method	Unicast
Max. User Access	10 Users
Edge Storage	Local PC for instant recording, Micro SD card 256GB
Web Viewer	<IE11, Chrome, Firefox, Microsoft Edge
Management Software	SunView
Interface	
Network Interface	1 × RJ-45, 10/100 Mbps self-adaptive Ethernet port
Audio Interface	1ch Input, 1ch Output
Alarm Interface	2ch Input, 1ch Output
RS485	N/A
CVBS Output	N/A
Built-in SD Card Slot	Yes (Built-in), up to 128GB
Electrical	
Power Supply	DC12V/POE+ (IEEE 802.at)
Power Consumption	Less than 25 W
Operating Temperature	Starting Temperature: -40°C ~ 60°C (-40°F ~ 140 °F) Working Temperature:-55°C ~ 60°C (-67°F ~ 140 °F)
Operating Humidity	Less than 90% RH
Ingress Protection	IP66, TVS4000V
Certifications	CE/FCC
Casing	Metal
Dimensions	146.6 × 139.3 × 218.3 mm (5.77 × 5.48 × 8.59 inch )
Net Weight	1.5 kg (3.31 lb)

## Dimensions (mm)



## Accessories

Optional:



SN-CBK402  
Ceiling Bracket



SN-CBK501  
Wall Mount Bracket



SN-CBK658  
Junction Box



SN-CBK101  
Pole Mount



SN-CBK102  
Corner Mount